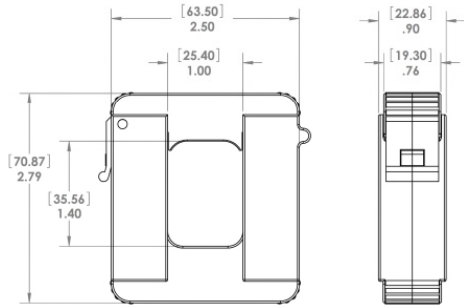


**CURRENT TRANSFORMERS**

**CTA2 Series**

Enclosed Self-Powered Split Core 100 Amp Current Transformer with 333 mV Output.



**SPECIFICATIONS**

- Environment:** Indoor Use Only  
5 to 176° F (-15 to 80°C)  
90% relative humidity
- Wires:** 6', 18 AWG, 600V Rated
- Primary Input:** 100A max. AC 50/60 Hz
- Secondary Output:** 0.333 Vac
- Accuracy:** 0.75% (typical)
- Linearity:** 10%-120%
- Polarity:** White-Hi, Black-Low
- Frequency range:** 40-400 Hz
- Max Sense Voltage:** 600 Vac
- Approvals:** ETL Listed, CE, RoHS

CT SERIES				
Model #	Primary Input (A)	Secondary Output (V)	Ratio	Accuracy
CT-100A2-333	100	0.333	100A/0.333V	0.75%